

STRENGTH CALCULATION SHEET

Document No.

Rev.

Page

YJAT-0400-ST5

0

-

1. DESIGN CONDITION

1-2. Layout Drawing

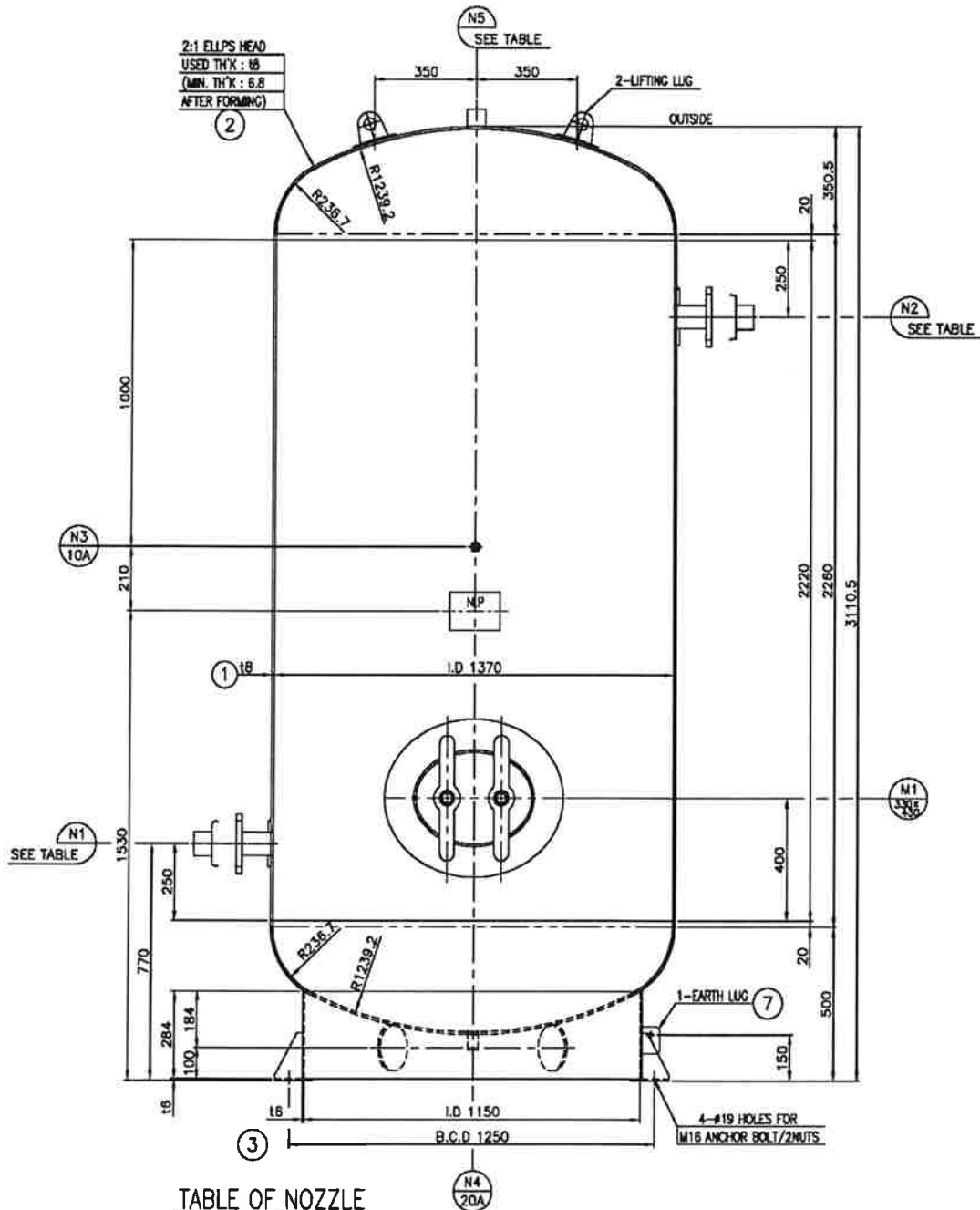


TABLE OF NOZZLE

NO.	SIZE										REMARK	
N1 & N2	20A	25A	32A	40A	50A	65A	80A	100A	125A	150A	200A	
SPEC.	HALF COUPLING					KS 10K SO. FF.						
N5	15A		20A	25A	-						1&T	
	15A/20A		25A	32A	40A	-					(주)유 언 자양컴식	
	-			32A	50A	80A		금현 콘팅식				
Spec.	HALF COUPLING								KS B6216 10K S.O.R.F			
** 인입경 [N1]과 안전변[N5] 규격은 발주자의 요구에 따라서 적용한다.												

STRENGTH CALCULATION SHEET

Document No.

Rev.

Page

YJAT-0400-ST5

0

-

1. DESIGN CONDITION

1-1 Data sheet

No.	DESCRIPTION	DESIGN DATA		참고사항	
1	APPLICATION CODE(적용규격 코드)	KS B 6750 & ISHL			
2	VESSEL TYPE(압력용기 타입)	VERTICAL			
3	FLUID(사용유체)	AIR			
4	DESIGN PRESSURE(설계압력)	INTERNAL	0.98	Mpa	10.0 kgf/cm ²
		EXTERNAL	0	Mpa	
5	OPER. PRESSURE(사용압력)	0.7	Mpa	7.1 kgf/cm ²	
6	DESIGN TEMPERATURE(설계온도)	INTERNAL	60	°C	
		EXTERNAL	-	°C	
7	OPER. TEMPERATURE(사용온도)	INTERNAL	40	°C	
8	HYDRO. TEST PRESSURE(수압시험 압력)	1.30	Mpa	13.3 kgf/cm ²	
9	PNEU. TEST PRESSURE(공기압시험 압력)	N.A	Mpa		
10	HEAD TYPE (경판형상)	2 : 1 ELLIPSOIDAL HEAD			
11	RADIOGRAPHIC EXAMINATION(S/H) 비파괴 검사	SPOT	N.A / N.A		
		FULL	N.A / N.A		
12	JOINT EFFICIENCY (S/H) (용접 효율)	0.7	/	0.85	
13	PWHT(후열처리)	NO			
	IMPACT & THERMAL LOAD, ETC	N/A			
14	CORROSION ALLOWANCE(부식여유)	0	mm		
15	SHELL INSIDE DIAMETER(동체내경)	1370	mm		
16	M. A. W. P.	NEW & COLD	-	-	
		HOT & CORR.	-	-	
17	LOCATION	INDOOR			
18	WEIGHT(무게)	ERECTION	1150	Kg	
		OPERTING(사용)	1150	Kg	
		FULL WATER(수압)	5150	Kg	
19	METERIAL (재질)				
	- SHELL & HEAD	STS304	127 / 127	N/mm ²	
	- NOZZLE PIPE	STS304	127	N/mm ²	
	- NOZZLE FLANGE	STS304	127	N/mm ²	
	- SUPPORT(SKIRT)	SS400	100	N/mm ²	
	- EXT. BOLT /NUT	SNB7/S45C	100 / 100	N/mm ²	
	- LIFTING LUG	SS400	100	N/mm ²	
- GASKET	NON-ASBESTOS				

HYDRO. TEST PRESSURE: $P \times 1.3 \times \frac{130}{127} = 1.30 \text{ Mpa}$