

1. LAYOUT DRAWING	Document No.	Rev.	Page
	YJAT-0250-ST5	0	-

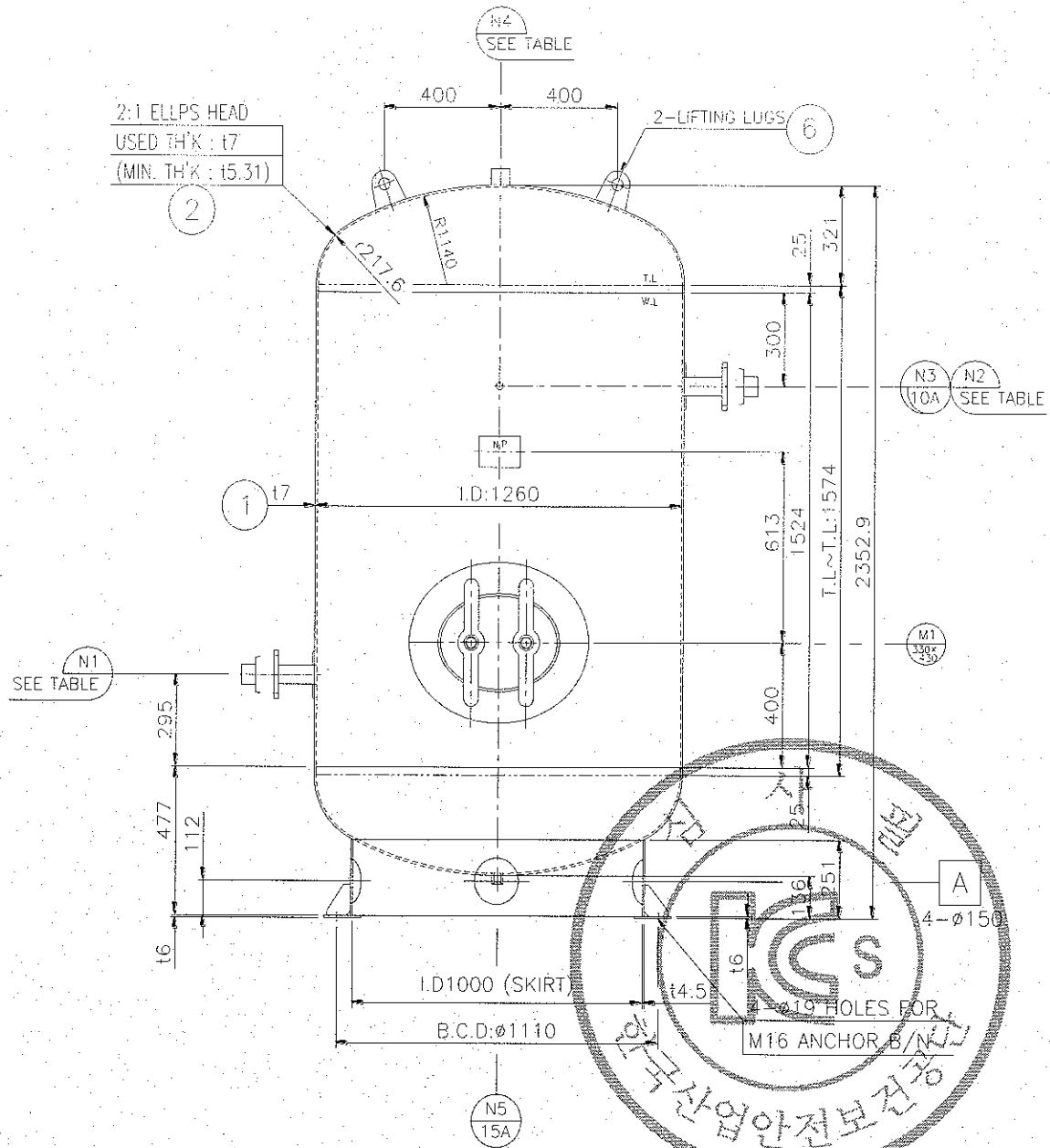


TABLE OF NOZZLE

TANK N1 & N2	20A	25A	32A/40A	50A	65A	80A	100A	125A	150A	200A	250A	300A	-
TYPE	HALF COUPLING						KS10K, SOFF.						
N# (SAFETY VALVE)	15A	15A	15A	25A	32A	40A/50A	40A	40A	50A	65A	65A	80A	-
TYPE	HALF COUPLING (양정식)						HALF COUPLING & KS10K SOFF (KSBG216) 전량식						

** 인입경 [N4] 과 안전밸브 [N6] 규격은 발주사의 요구에 따라서 적용한다.

아저보건공단

2. DESIGN CONDITION (설계조건)	Document No.	Rev.	Page
	YJAT-0250-ST5	0	-

VOLUME : 2.5 m³

No.	DESCRIPTION	DESIGN DATA	참고사항
1	APPLICATION CODE(적용규격 코드)	KS B 6750&ISHL	
2	VESSEL TYPE(압력용기 타입)	VERTICAL	
3	FLUID(사용유체)	AIR or N2	
4	DESIGN PRESSURE(설계압력)	INTERNAL	0.98 Mpa
		EXTERNAL	0 Mpa
5	OPER. PRESSURE(사용압력)	0.88 Mpa	
6	DESIGN TEMPERATURE(설계온도)	INTERNAL	100 °C
		EXTERNAL	- °C
7	OPER. TEMPERATURE(사용온도)	INTERNAL 40 °C	
8	HYDRO. TEST PRESSURE(수압시험 압력)	1.28 Mpa	
9	PNEU. TEST PRESSURE(공기압시험 압력)	N.A Mpa	
10	HEAD TYPE(경판형상)	2 : 1 ELLIPSOIDAL HEAD	
11	RADIOGRAPHIC EXAMINATION 비파괴 검사	SHELL	NO
		HEAD	N.A
12	JOINT EFFICIENCY (S/H) (용접효율)	0.7 / 0.85	
13	PWHT [S / H / H (S.R 처리)] (후열처리)	N.A / N.A / N.A	* S.R 처리 Stress Reallies
	IMPACT & THERMAL LOAD, ETC	N/A	
14	CORROSION ALLOWANCE(부식여유)	0.0 mm	
15	SHELL INSIDE DIAMETER(동체내경)	1260 mm	
16	M. A. W. P.	NEW & COLD	-
		HOT & CORR.	-
17	LOCATION	INDOOR	
18	WEIGHT(무게)	ERECTION	630 Kg
		OPERATING(사용)	630 Kg
		FULL WATER(수압)	3130 Kg
19	MATERIAL (재질)		
	- SHELL	STS304	137 N/mm ²
	- HEAD	STS304	137 N/mm ²
	- NOZZLE PIPE	STS304TP(W)	116 N/mm ²
	- NOZZLE FLANGE	STS304	114 N/mm ²
	- SUPPORT	SS400	114 N/mm ²
	- EXT. BOLT /NUT	SUS304/SUS304	114 / 114 N/mm ²
	- LIFTING LUG	SS400	114 N/mm ²
	GASKET	NON-ASBESTOS	

HYDRO. TEST PRESSURE: P x 1.3 x 138 = 1.28 Mpa

안전보건공단

KOREA OCCUPATIONAL SAFETY & HEALTH AGENCY