

서 면 심 사

AIR RECEIVER TANK

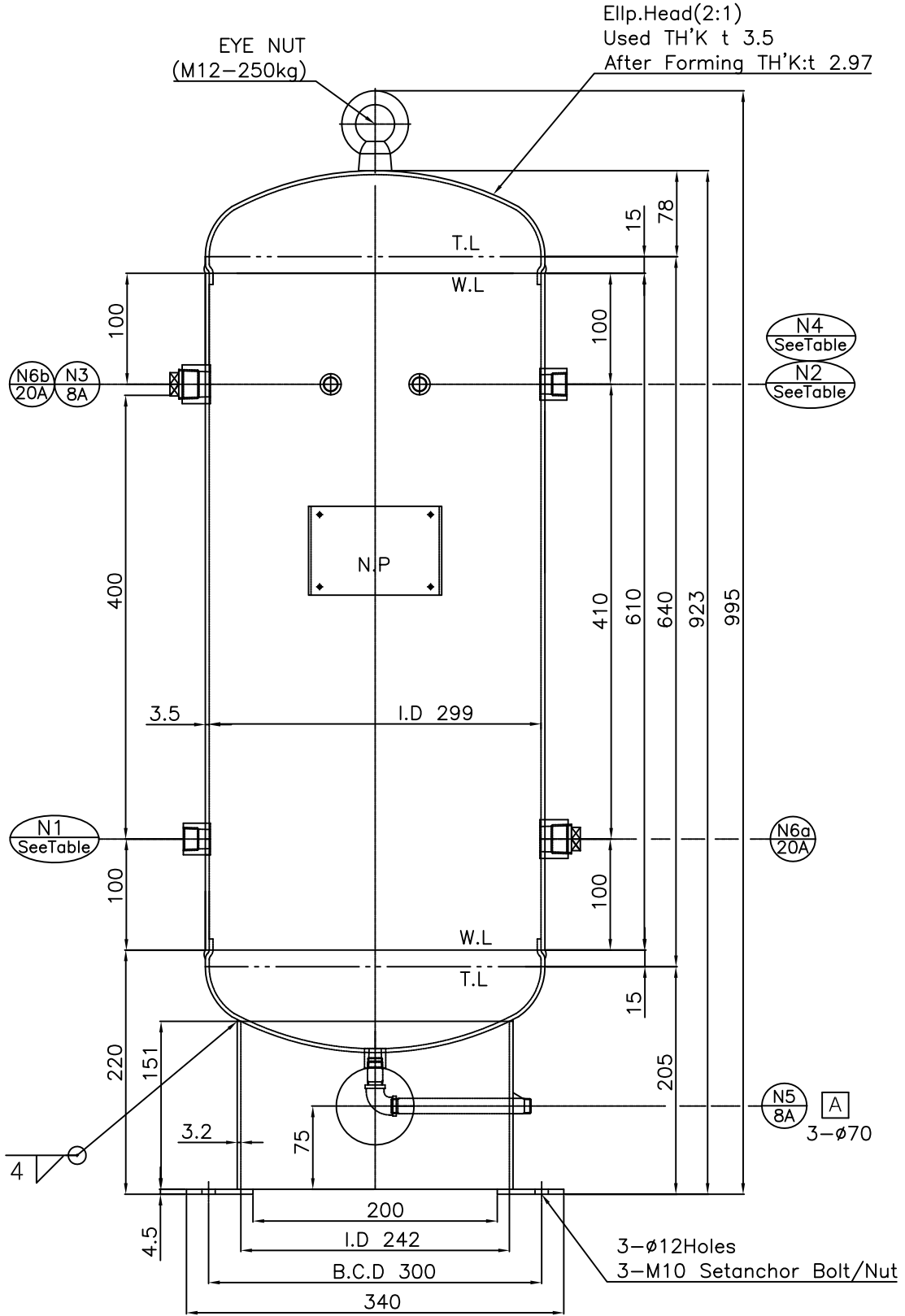
MODEL:JIN-050-V-3

CONTENT

1. LAYOUT & DIMENSION
2. DESIGN CONDITION
3. VOLUME CALCULATION
4. WELDING PROCEDURE
5. PROTECTION EQUIPMENT
6. STRENGTH CALCULATION
7. DRAWING

ITEM NO.	JIN-050-V-3	DWG. TITLE	AIR RECEIVER TANK
----------	-------------	------------	-------------------

1. LAYOUT & DIM.



TABLE

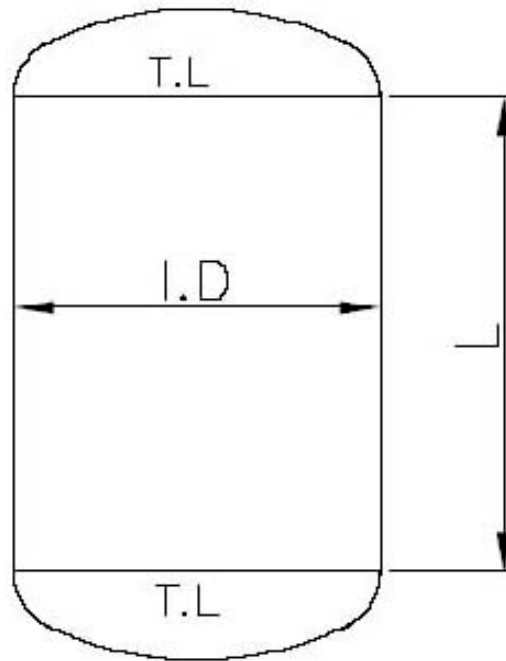
NO.	SIZE							
N1 & N2	8A	10A	15A	20A	25A	32A	40A	50A
TYPE	HALF COUPLING							
N4	8A							15A

2. DESIGN (TOWER & VESSEL) CONDITION

ITEM NO : JIN-050-V-3

ITEM		DESCRIPTION			
1	VOLUME	0.051		m ³	
2	FLUID NAME	AIR			
3	DESIGN	PRESSURE	P =	10.0 / 0.98 kgf/cm ² / Mpa	
		TEMPERATURE	T =	75.0 °C	
4	OPERATING	PRESSURE	P =	9.0 / 0.88 kgf/cm ² / Mpa	
		TEMPERATURE	T =	40.0 °C	
5	SHELL INSIDED DIAMETER	Di =	299.0	mm	
6	SHELL W.L to W.L	WL =	600.0	mm	
7	SHELL T.L to T.L	TL =	630.0	mm	
8	SHELL THICKNESS	ts =	3.5	mm	
9	HEAD THICKNESS	th =	3.5	mm	
6	CORROSION ALLOWANCE	α =	1.0	mm	
7	RADIOGRAPH EXAM. (X-RAY)	NO			
8	JOINE EFFICIENCY	SHELL-SEAM(CIRCUMFERENTAL STRESS)	E =	70 %	
		SHELL-SEAM(LONGITUDINAL STRESS)	E =	65 %	
		HEAD-SEAM(CIRCUMFERENTAL STRESS)	E =	85 %	
9	STRESS RELIEF HEAT TREATMENT	NO			
10	MATERIAL	SHELL/HEAD	SS400	/	SS400
		SUPPORT	SS400		
		AHCHOR BOLT	SS400		
11	ALLOWABLE STRESS	SHELL/HEAD	114.0	/	114.0 N/mm ²
		SUPPORT	114.0		N/mm ²
		AHCHOR BOLT	61.0		N/mm ²
12	HYDO. TEST PRESS	13.0	/	1.3 kgf/cm ² /Mpa	
13	WEIGHT	ERECTION	25	/	245 kgf / N
		OPERATION	25	/	245 kgf / N
		FULL WATER	76	/	744.8 kgf / N
14	ERECTION PLACE	OUT DOOR / IN DOOR			

3. VOLUME CALCULATION



ID : 0.299 m
L : 0.630 m

3.1 SHELL SIDE(T.L FROM T.L)

$$V_s = \pi / 4 \times ID^2 \times L$$

$$= \pi / 4 \times 0.299^2 \times 0.63 = 0.0442 \text{ m}^3$$

3.2 HEAD SIDE (ELLIPSE HEAD)

$$V_h = 0.13382 \times ID^3 \times 2$$

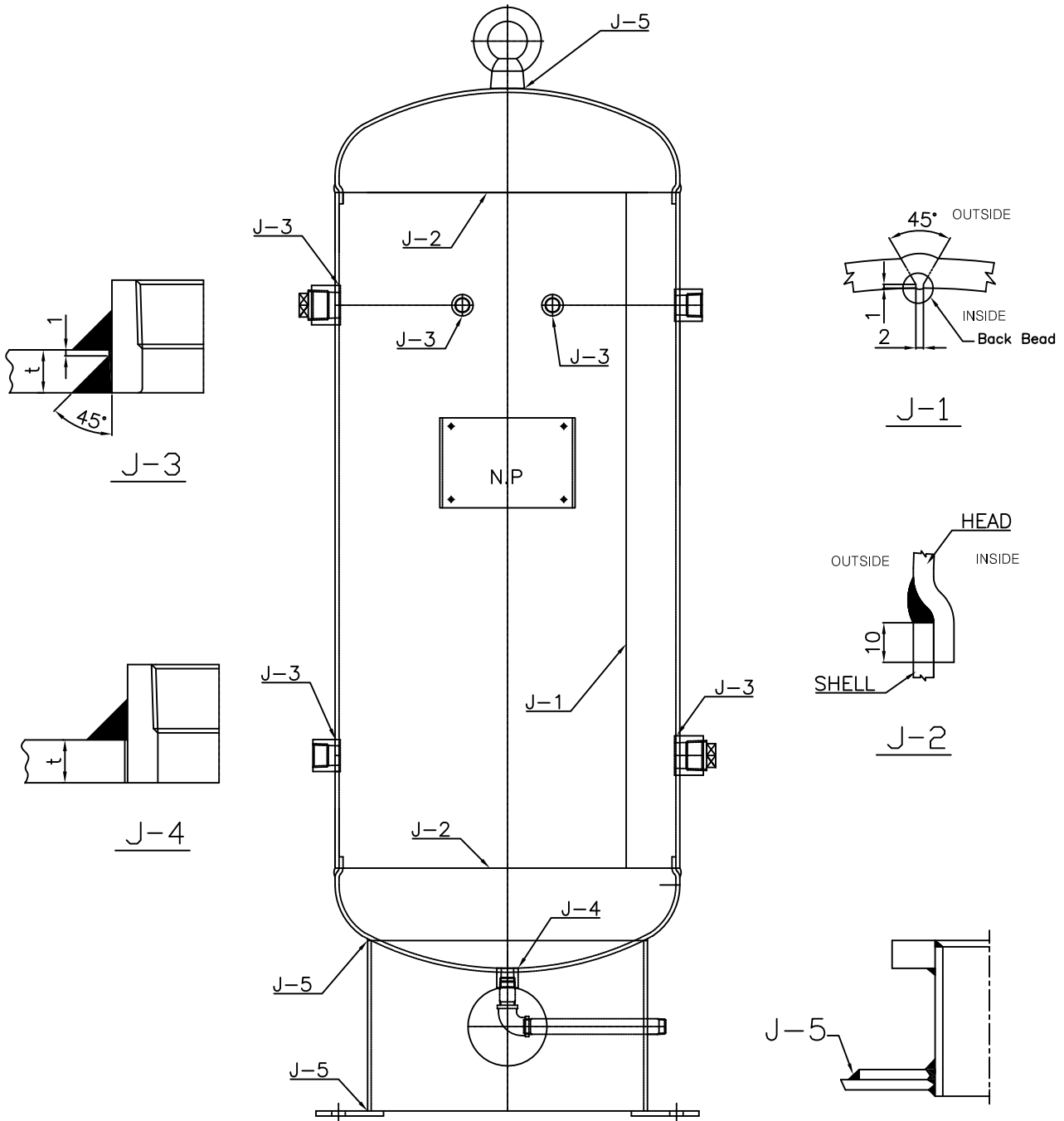
$$= 0.13382 \times 0.299^3 \times 2 = 0.0072 \text{ m}^3$$

3.3 TOTAL VOLUE

$$V = V_s + V_h = 0.044 + 0.007 = 0.0514 \text{ m}^3$$

4. WELDING PROCEDURE

4-1. WELDING MAP



JOINT NO	PROCESS	W.P.S	W/D MAT'L CLASS	REMARKS
J-1,2	FCAW	SK-WFC-001	E71T-1C	
J-3,4,5	FCAW	SK-WFC-001	E71T-1C	
PREPARED BY		CHECKED BY		APPROVED BY

용 접 절 차 시 방 서
WELDING PROCEDURE SPECIFICATION (WPS)

WPS NO <u> JWPS1-1 </u> DATE <u> OCT 2012 </u> 개정번호 REVISION NO <u> 0 </u> DATE _____ 관련시험번호 SUPPORTING PQR NO <u> JWPQ-01,02 </u> 용접방법 WELDING PROCESS <u> FCAW </u> TYPE <u> SEMI AUTO+MANUAL </u>																			
이음설계 JOINT DESIGN (QW 402) 이음형태 TYPE OF JOINT <u> GROOVE & FILLET </u> 백킹유무 BACKING <u> NO </u> 백킹재질(형태) BACKING METAL(TYPE) <u> -- </u> 리테이너유무 RETAINERS <u> - </u> <u> NO </u>	이음상태 JOINT DETAIL * SEE APPLICABLE DRAWING																		
모재 BASE METAL (QW 403) P-NO <u> 1 </u> Gr.NO <u> 1 </u> TO P-NO <u> 1 </u> Gr.NO <u> 1&2 </u> OR SPEC.AND GRADE <u> SS400 </u> TO <u> SS400 </u> 검증두께범위 QUALIFIED THICKNESS RANGE 모재 BASE METAL <u> 2.0 mm - 6.0mm </u> 용착금속 DEPOSIT WELD METAL <u> MAX : 6 mm </u> 파이프 직경 범위 PIPE DIAMETER RANGE <u> UNLIMITED </u> 패스당 최대 두께 제한 MAX.PASS THICK.LIMIT <u> MAX 9mm </u>	예열 PREHEAT (QW 406) 최저 예열 온도 MIN.PREHEAT TEMP. <u> N/A </u> 최대 패스간 온도 MAX.INTERPASS TEWMP. <u> N/A </u> 예열유지 PREHEAT MAINTENACE <u> WHILE WELDING </u>																		
용가재 FILLER METALS (QW 404) F NO <u> 6 </u> A NO <u> 1 </u> SFA NO <u> 5.2 </u> AWS CLASS <u> E 71T </u> 기타 OTHERS <u> N/A </u> 용가재 크기 SIZE OF FILLER <u> φ1.2 φ1.4 </u> 와이어 플럭스 사양(형태) WIRE FLUX CLASS(TYPE) <u> N/A </u> 플럭스 상표명 FLUX TRADE NAME <u> N/A </u> 소모성 인서트 CONSUMABLE INSERT <u> N/A </u>	후열처리 POSTWELD HEAT TREATMENT (QW 407) 온도 구간 TEMPERATURE RANGE <u> N/A </u> 유지시간 구간 HOLDING TIME RANGE <u> N/A </u>																		
자세 POSITION (QW 405) 그루오브 자세 POSITION OF GROOVE <u> ALL </u> 필렛 자세 POSITION OF FILLET <u> ALL </u> 진행방향 PROGRESSION <u> x </u> <u> DOWN </u> <u> - </u>	가스 GAS (QW 408) <table style="width: 100%; border-collapse: collapse;"> <thead> <tr> <th rowspan="2"></th> <th colspan="2" style="text-align: center;">조성비율</th> <th rowspan="2">유량 FLOW RATE</th> </tr> <tr> <th style="text-align: center;">가스 GAS(ES)</th> <th style="text-align: center;">혼합 (MIXTURE)</th> </tr> </thead> <tbody> <tr> <td>셸딩 SHIELDING</td> <td style="text-align: center;"><u> CO2 </u></td> <td style="text-align: center;"><u> N/A </u></td> <td style="text-align: center;"><u> 20-50L/M </u></td> </tr> <tr> <td>트레일링 TRAILING</td> <td style="text-align: center;"><u> N/A </u></td> <td style="text-align: center;"><u> N/A </u></td> <td style="text-align: center;"><u> N/A </u></td> </tr> <tr> <td>백킹 BACKING</td> <td style="text-align: center;"><u> N/A </u></td> <td style="text-align: center;"><u> N/A </u></td> <td style="text-align: center;"><u> N/A </u></td> </tr> </tbody> </table>		조성비율		유량 FLOW RATE	가스 GAS(ES)	혼합 (MIXTURE)	셸딩 SHIELDING	<u> CO2 </u>	<u> N/A </u>	<u> 20-50L/M </u>	트레일링 TRAILING	<u> N/A </u>	<u> N/A </u>	<u> N/A </u>	백킹 BACKING	<u> N/A </u>	<u> N/A </u>	<u> N/A </u>
	조성비율		유량 FLOW RATE																
	가스 GAS(ES)	혼합 (MIXTURE)																	
셸딩 SHIELDING	<u> CO2 </u>	<u> N/A </u>	<u> 20-50L/M </u>																
트레일링 TRAILING	<u> N/A </u>	<u> N/A </u>	<u> N/A </u>																
백킹 BACKING	<u> N/A </u>	<u> N/A </u>	<u> N/A </u>																
	전기특성 ELECTRICCAL CHARACTERISTICS (QW 409) 전류 CURRENT AC OR DC <u> DC </u> 구성 POLARITY <u> SP </u> 전류 AMPS(RANGE) <u> 180-320A </u> 전압 VOLT(RANGE) <u> 20-30V </u> 기타 OTHER <u> N/A </u>																		

용접절차시방서 번호 WPS NO. JWPS1-2

개정 번호 REVISION NO. ---

<p>용접기법 WELDING TECHNIQUE (QW 410)</p> <p>비드형태 STRINGER OR WEAVE BEAD <u>BOTH</u></p> <p>가스컵 크기 ORIFICE OR GAS CUP SIZE <u>10-16</u></p> <p>초층 및 중간 청결방법 INITIAL OR INTERPASS CLEANING <u>BRUSING AND GRINDING</u></p> <p>콘택트 튜브와 용접물간거리 CONTACT TUBE TO WORK DIST <u>N/A</u></p>	<p>가우징 방법 METHOD OF BACK GOUGING <u>AIR ARC GOUGING AND GRAING</u></p> <p>단층 혹은 다층 SINGLE OR MULTIPLE PASS (PER SIDE) <u>MULTIPLE</u></p> <p>진동 OSCILLATION <u>N/A</u></p> <p>단극 혹은 다극 SINGLE OR MULTIPLE ELECTRODE <u>SINGLE</u></p> <p>피이닝 PEENING <u>N/A</u></p>
---	---

LAYER NO	PROSCCESS	FILLER METAL		CURRENT		VOLTS RANGE	TRAVEL SPEED(CM/MIN)	OTHER
		CLASS	DIA(mm)	TYPE POLAR	AMPS RANGE			
J-1,J-2	FCAW	E 71T	1.6	N/A	300A	24-28	35	
		E 71T	1.2	N/A	200A	20-24	35	

특기사항 SPECIAL NOTE

PREPARED BY	REVIEWED BY	APPROVED BY	REVIEWED BY

신강산기(주)

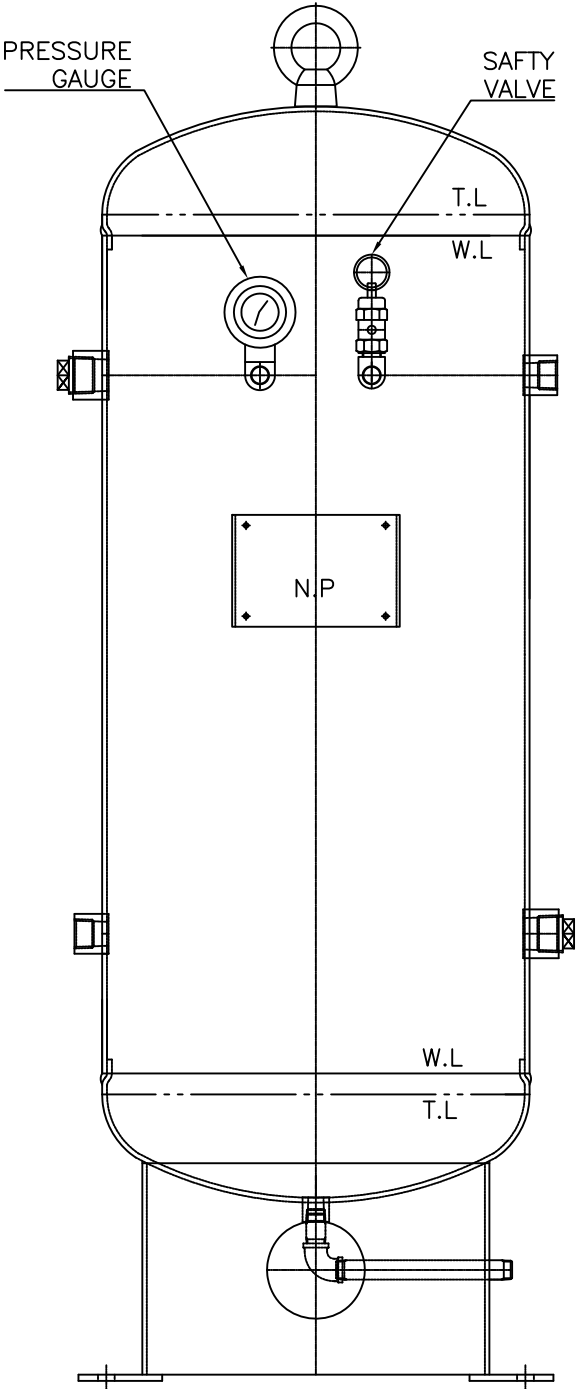
5. PROTECTION EQUIPMENT

- 5-1. PROTECTION CONTENT
- 5-2. PROTECTION INSTALLATION DWG
- 5-3. PROTECTION SPEC

5-1. PROTECTION CONTENT

ITEM	INSTALLATION		REASON OF NO INSTALLATION	REMARK
	SHELL	PIPING		
SAFETY VALVE	o			
P.G	o			
TEMP' GAUGE				

5-2. PROTECTION INSTALLATION DWG



안전밸브 사양서

제조사	(주)아이엔티코리아	소재지	경기도 군포시 대야미동 642-7 천봉프라자 203호																			
대표자	이형곤	전화	031-465-5374	팩스	031-465-5375																	
안전밸브 구분	모델명	제조번호	밸브형식	리프트형식	호칭지름	호칭압력																
	ISV - 08A	-	GLI 1 / GLI 3	양정식	8A(PT1/4")	3 Mpa 이하																
특성	적용유체	설정압력		분출정지압력	분출차압력																	
	압축공기	아래 표 참조		설정압력 - 분출차압력	설정압력의 10%이하																	
	사용온도범위	허용초과압력		분출면적	정격양정																	
	-20 ~ 120℃	+10%		18.84 mm ²	1.0 mm																	
	공칭분출계수		공칭분출량결정압력		공칭분출량																	
	0.745		설정압력의 1.1배		아래 표 참조																	
재료	밸브상자	디스크	시트	스프링	기타부분																	
	황동(C3604BD-F)	황동(C3604BE-F)	VITON	SWP-B	탄소강																	
외관	입구지름	목부지름	출구지름	디스크시트구멍지름	면간거리 (LxH)																	
	6 mm	6 mm	-	6 mm	55 x 15																	
설정압력별 공칭분출량	<table border="1" style="width: 100%; border-collapse: collapse;"> <thead> <tr> <th style="width: 50%;">설정압력 (Mpa)</th> <th style="width: 50%;">공칭분출량 (M³/min)</th> </tr> </thead> <tbody> <tr><td style="text-align: center;">0.70</td><td style="text-align: center;">1.46</td></tr> <tr><td style="text-align: center;">0.80</td><td style="text-align: center;">1.67</td></tr> <tr><td style="text-align: center;">0.88</td><td style="text-align: center;">1.83</td></tr> <tr><td style="text-align: center;">0.95</td><td style="text-align: center;">1.98</td></tr> <tr><td style="text-align: center;">0.99</td><td style="text-align: center;">2.06</td></tr> <tr><td style="text-align: center;">1.08</td><td style="text-align: center;">2.25</td></tr> <tr><td style="text-align: center;">1.20</td><td style="text-align: center;">2.50</td></tr> </tbody> </table>						설정압력 (Mpa)	공칭분출량 (M ³ /min)	0.70	1.46	0.80	1.67	0.88	1.83	0.95	1.98	0.99	2.06	1.08	2.25	1.20	2.50
	설정압력 (Mpa)	공칭분출량 (M ³ /min)																				
	0.70	1.46																				
	0.80	1.67																				
	0.88	1.83																				
	0.95	1.98																				
	0.99	2.06																				
	1.08	2.25																				
1.20	2.50																					

안전밸브 사양서

제조사	(주)아이엔티코리아	소재지	경기도 군포시 대야미동 642-7 천봉프라자 203호																			
대표자	이형곤	전화	031-465-5374	팩스	031-465-5375																	
안전밸브 구분	모델명	제조번호	밸브형식	리프트형식	호칭지름	호칭압력																
	ISV - 15A	-	GL11 / GL13	양정식	15A(PT1/2")	3 Mpa 이하																
특성	적용유체	설정압력		분출정지압력		분출차압력																
	압축공기	아래 표 참조		설정압력 - 분출차압력		설정압력의 10%이하																
	사용온도범위	허용초과압력		분출면적		정격양정																
	-20 ~ 120℃	+10%		55.95 mm ²		1.8 mm																
	공칭분출계수		공칭분출량결정압력		공칭분출량																	
	0.74		설정압력의 1.1배		아래 표 참조																	
재료	밸브상자	디스크	시트	스프링	기타부분																	
	황동(C3604BD-F)	황동(C3604BE-F)	VITON	SWP-B	탄소강																	
외관	입구지름	목부지름	출구지름	디스크시트구멍지름	면간거리 (LxH)																	
	10 mm	10 mm	-	10 mm	76 x 22																	
설정압력별 공칭분출량	<table border="1" style="width: 100%; border-collapse: collapse;"> <thead> <tr> <th style="width: 50%;">설정압력 (Mpa)</th> <th style="width: 50%;">공칭분출량 (M³/min)</th> </tr> </thead> <tbody> <tr><td style="text-align: center;">0.70</td><td style="text-align: center;">4.30</td></tr> <tr><td style="text-align: center;">0.80</td><td style="text-align: center;">4.92</td></tr> <tr><td style="text-align: center;">0.88</td><td style="text-align: center;">5.41</td></tr> <tr><td style="text-align: center;">0.95</td><td style="text-align: center;">5.84</td></tr> <tr><td style="text-align: center;">0.99</td><td style="text-align: center;">6.09</td></tr> <tr><td style="text-align: center;">1.08</td><td style="text-align: center;">6.64</td></tr> <tr><td style="text-align: center;">1.20</td><td style="text-align: center;">7.38</td></tr> </tbody> </table>						설정압력 (Mpa)	공칭분출량 (M ³ /min)	0.70	4.30	0.80	4.92	0.88	5.41	0.95	5.84	0.99	6.09	1.08	6.64	1.20	7.38
	설정압력 (Mpa)	공칭분출량 (M ³ /min)																				
	0.70	4.30																				
	0.80	4.92																				
	0.88	5.41																				
	0.95	5.84																				
	0.99	6.09																				
	1.08	6.64																				
1.20	7.38																					



안 전 인 증 서

(주) 아이엔티코리아

경기도 군포시 대야미동 642-7번지 천봉프라자 203호

위 사업장에서 제조하는 아래의 품목이 산업안전보건법 제34조 및 같은 법 시행규칙 제58조의4제4항에 따른 안전인증 심사 결과 안전·보건기준에 적합하므로 안전인증표시의 사용을 인증합니다.

품 목

압력용기 압력방출용 안전밸브

형식·모델/용량·등급/인증번호

형식·모델	용량·등급	인증번호
ISV-08A	GL I 1	12-AV2BL-0013

인 증 기 준

방호장치 의무안전인증 고시(고용노동부고시 제2010-36호)

인 증 조 건

아래 주소에서 생산되는 제품에 한함.
(주) 아이엔티코리아, 경기 군포시 당정동 343-17

2012년 04월 23일

한국산업안전보건공단 이사장





안 전 인 증 서

(주) 아이엔티코리아

경기도 군포시 대야미동 642-7번지 천봉프라자 203호

위 사업장에서 제조하는 아래의 품목이 산업안전보건법 제34조 및 같은 법 시행규칙 제58조의4제4항에 따른 안전인증 심사 결과 안전·보건기준에 적합하므로 안전인증표시의 사용을 인증합니다.

품 목

압력용기 압력방출용 안전밸브

형식·모델/용량·등급/인증번호

형식·모델	용량·등급	인증번호
ISV-15A	GL I 1	12-AV2BL-0021

인 증 기 준

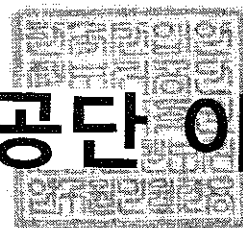
방호장치 의무안전인증 고시(고용노동부고시 제2010-36호)

인 증 조 건

아래 주소에서 생산되는 제품에 한함.
(주) 아이엔티코리아, 경기 군포시 당정동 343-17

2012년 06월 21일

한국산업안전보건공단 이사장



1, PROTECTION SPECIFICATION.

1.1 SAFETY VALVE

A. GENERAL SPECIFICATION.

1) ITEM NO	:	JIN-050-V-3	
2) NOZZLE NO	:	N4	
3) Q'TY	:	1.0	EA
4) MANUFACTURE	:	INT KOREA or EQ	
5) MODEL	:	ISV-08A or EQ	
6) INLET CONNECTION	:	8A(PT)	
7) OUTLET CONNECTION	:	OPEN	

B. DESIGN CONDITION

1) FLUID	:	AIR	
2) SPECIFIC HEAT RATIO (C)	:	27.03	
3) ORIFICE AREA(A)	:	18.84	mm ²
4) MOL WEIGHT(M)	:	28.97	
5) RELIEVING TEMP(T) °C + 273	:	313	°C
6) SETTING PRESSURE(P)	:	0.98	Mpa
7) ATMOSPHERIC PRESSURE(Pa)	:	0.104	Mpa
8) EMISSION COEFFICIENT(K)	:	0.745	
9) NOZZLE INDIAMETER(D) (40Axt3.25)	:	4.410	cm
11) AIR VELOCITY(V)	:	15.0	m/sec
12) $y = (P + 0.1) \times 10^4 / (M \times T) =$:	1.191	

1.2 DISCHARGE CAPACITY OF VALVE

$$W_a = C \times K \times A \times \{(P \times 1.1) + P_a\} \times \sqrt{(M/T)}$$

$$W_a = 27.03 \times 0.745 \times 18.84 \times \{(0.98 \times 1.1) + 0.104\} \times \sqrt{(28.97/313)}$$

$$= 136.43 \text{ kg/hr}$$

1.3 MAX. INLET CAPACITY

$$\begin{aligned} WF &= 0.28 \times V \times y \times D^2 \\ &= 0.28 \times 15 \times 1.191 \times (4.41^2) &= & 97.28 \text{ Kg/Hr} \end{aligned}$$

1.4 RESULT

$$\begin{aligned} WF &= 97.28 \text{ Kg/Hr} < W_r = 136.42 \text{ Kg/Hr} \\ &\text{THEREFORE, 8A(PT) x 1EA S/V ----- OK !} \end{aligned}$$

1, PROTECTION SPECIFICATION.

1.1 SAFETY VALVE

A. GENERAL SPECIFICATION.

1) ITEM NO	:	JIN-050-V-3	
2) NOZZLE NO	:	N4	
3) Q'TY	:	1.0	EA
4) MANUFACTURE	:	INT KOREA or	EQ
5) MODEL	:	ISV-15A or	EQ
6) INLET CONNECTION	:	15A(PT)	
7) OUTLET CONNECTION	:	OPEN	

B. DESIGN CONDITION

1) FLUID	:	AIR	
2) SPECIFIC HEAT RATIO (C)	:	27.03	
3) ORIFICE AREA(A)	:	59.95	mm ²
4) MOL WEIGHT(M)	:	28.97	
5) RELIEVING TEMP(T) °C + 273	:	313	°C
6) SETTING PRESSURE(P)	:	0.98	Mpa
7) ATMOSPHERIC PRESSURE(Pa)	:	0.104	Mpa
8) EMISSION COEFFICIENT(K)	:	0.745	
9) NOZZLE INDIAMETER(D) (50Axt3.65)	:	5.520	cm
11) AIR VELOCITY(V)	:	15.0	m/sec
12) $y = (P + 0.1) \times 10^4 / (M \times T) =$:	1.191	

1.2 DISCHARGE CAPACITY OF VALVE

$$W_a = C \times K \times A \times \{(P \times 1.1) + P_a\} \times \sqrt{(M/T)}$$

$$W_a = 27.03 \times 0.745 \times 59.95 \times \{(0.98 \times 1.1) + 0.104\} \times \sqrt{(28.97/313)}$$

$$= 434.12 \text{ kg/hr}$$

1.3 MAX. INLET CAPACITY

$$\begin{aligned} WF &= 0.28 \times V \times y \times D^2 \\ &= 0.28 \times 15 \times 1.191 \times (5.52^2) = 152.42 \text{ Kg/Hr} \end{aligned}$$

1.4 RESULT

$$WF = 152.42 \text{ Kg/Hr} < Wr = 434.12 \text{ Kg/Hr}$$

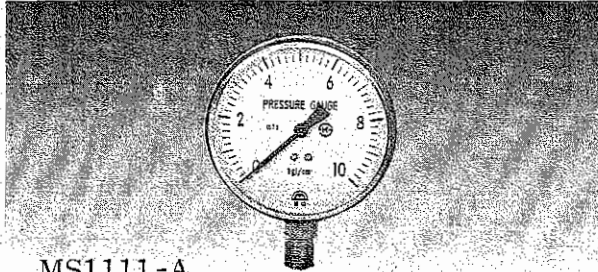
THEREFORE, 15A(PT)x1EA S/V -----OK !



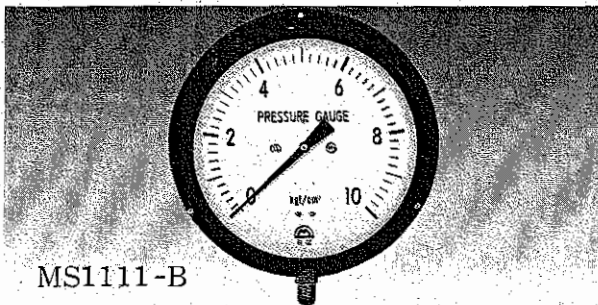
明星計器

일반 압력계 General type pressure gauge

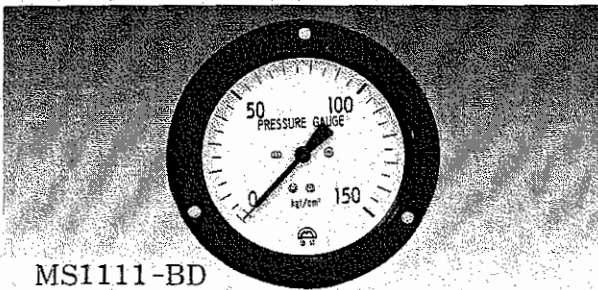
MODEL NO:MS-1100 SERIES



MS1111-A



MS1111-B



MS1111-BD

적용범위(Application)

각종 현장의 일반적인 설비의 압력측정 및 감시용으로 쓰임.

특징(Features)

- 일반적인 압력측정용으로 가격이 저렴하며, 구매 사용이 매우 손쉽다.
- 압력크기 외형사이즈 등 모든 사양이 다양하며, 비교적 정확한 측정을 할수 있다.

표준사양(Standard specifications)

Model No	Dial size	Case	상 용 압 력	Screw	Accuracy
MS-1111	40 φ	A, D	0~1kgf/cm ² 0~350kgf/cm ²	PF. 1/4, 3/8	±1.5%
	50 φ				
	60 φ	A, BD			±3.0%
	75 φ				
	100 φ				
	150 φ	A			
200 φ	B				

5.3,3 PRESSURE GAUGE

ITEM NO : JIN-050-V-3

A. GENERAL SPECIFICATION

- | | |
|------------------------|------------------------------|
| 1) TYPE | : A TYPE (BOURDON TUBE TYPE) |
| 2) MAKE | : 명성계기 or EQ |
| 3) MODEL NO | : SM-1111 or EQ |
| 4) CONNECTION SIZE | : PT 1/4" THREAD |
| 5) CONNECTION LOCATION | : NOZZLE NO. N3 |
| 6) PRESSURE RANGE | : 0-1.5 Mpa |
| 7) DIAL SIZE | : 100 mm |
| 8) ENCLOSURE | : GENERAL TYPE |
| 9) ACCURACY | : $\pm 1.5\%$ of F.S |

B. MATERIAL

- | | |
|-----------------|----------------------|
| 1) CASE & COVER | : BLACK COATED STEEL |
| 2) BOURDON TUBE | : BRASS |
| 3) SOCKET | : BRASS |
| 4) MOVEMENT | : BRASS |

6. STRENGHT CALCULATION

ITEM NO : JIN-050-V-3

No	DESCRIPTION	PAGE	REMARK
1	SHELL CALCULATION		
2	HEAD CALCULATION		
3	SKIRT CALCULATION		

6.1 SHELL THICKNESS CALCULATION

===== DESIGN CONDITION =====

DESIGN PRESSURE	: P	0.98	Mpa
DESIGN TEMPERATURE	: T	75	°C
INSIDE RADIUS (CORRODED)	: R	150.50	mm
EQUIPMENT MATERIAL	:	SS400	
JOINT EFFICIENCY(CIRCUMFERENTIAL STRESS)	: E	0.70	
JOINT EFFICIENCY(LONGITUDINAL STRESS)	: E	0.65	
ALLOWABLE STRESS	: S	114.00	N/mm ²
CORROSION ALLOWANCE	: α	1.00	mm
MIN. SHELL THICKNESS(THE GREATER OF tc1, tc2)	: Tc	2.86	mm
USED SHELL THICKNESS	: ta	3.50	mm
MAX' ALLOWABLE WORKING PRESSURE	: Pa	1.313	Mpa

6.1.1 MIN. CALCULATED SHELL THICKNESS(CIRCUMFERENTIAL STRESS) : Tc1

$$T_{c1} = \frac{P \times R}{S \times E - 0.6 \times P} + \alpha$$

$$= \frac{0.98 \times 150.5}{114 \times 0.7 - 0.6 \times 0.98} + 1 = 2.86 \text{ mm}$$

6.1.2 MIN. CALCULATED SHELL THICKNESS(LONGITUDINAL STRESS) : Tc2

$$T_{c2} = \frac{P \times R}{2 \times S \times E + 0.4 \times P} + \alpha$$

$$= \frac{0.98 \times 150.5}{114 \times 2 \times 0.65 + 0.4 \times 0.98} + 1 = 1.99 \text{ mm}$$

 USED THICKNESS : 3.5 mm

6.1.3 MAX' ALLOWABLE WORKING PRESSURE : Pa

$$P_a = \frac{S \times E \times (t_a - \alpha)}{R + 0.6 \times (t_a - \alpha)}$$

$$= \frac{114 \times 0.7 \times (3.5 - 1)}{150.5 + 0.6 \times (3.5 - 1)} = 1.313 \text{ Mpa}$$

6.2 ELLIPSE HEAD THICKNESS CALCULATION

===== DESIGN CONDITION =====

DESIGN PRESSURE	:	P	0.98	Mpa
DESIGN TEMPERATURE	:	T	75	°C
INSIDE DIAMETER (CORRODED)	:	D	301.00	mm
EQUIPMENT MATERIAL	:		SS400	
JOINT EFFICIENCY	:	E	0.85	
ALLOWABLE STRESS	:	S	114.00	N/mm ²
CORROSION ALLOWANCE	:	α	1.00	mm
MIN. SHELL THICKNESS	:	Tc	2.52	mm
USED SHELL THICKNESS	:	ta	3.50	mm
MAX' ALLOWABLE WORKING PRESSURE	:	Pa	1.60	Mpa

6.2.1 MIN. CALCULATED HEAD THICKNESS : Tc

$$T_c = \frac{P \times D}{2 \times S \times E - 0.2 \times P} + \alpha$$

$$= \frac{0.98 \times 301}{2 \times 114 \times 0.85 - 0.2 \times 0.98} + 1 = 2.52 \text{ mm}$$

USED THICKNESS	:	3.50	mm
AFTER FORMING TH'K	:	2.98	mm

6.2.2 MAX' ALLOWABLE WORKING PRESSURE : Pa

$$P_a = \frac{2 \times S \times E \times (t_a - \alpha)}{D - 0.2 \times (t_a - \alpha)}$$

$$= \frac{2 \times 114 \times 0.85 \times (3.5 - 1)}{301 + 0.2 \times (3.5 - 1)} = 1.60 \text{ Mpa}$$

6.3 FIBER ELOGATION CHECK

6.3.1 DESIGN CONDITIONS

CURVATURE	:	SHELL
THICKNESS OF SHELL	: t	3.50 mm
INSIDE DIAMETER OF VESSEL	: D	299.00 mm
FINAL CENTER LINE RADIUS (D/2 + t/2)	: Rf	151.25 mm
ORIGINAL CENTER LINE RADIUS	: Ro	∞ mm

6.3.2 EXTREME FIBER ELOGATION IS MORE THAN 5%,
HEAT TREATMENT IS REQUIRED ANY OF THE FOLLOWING CONDITIONS

1) CONTAIN LETHAL SUBSTANCE	:	NO
2) IMPACT TEST REAUARED MATERIAL	:	NO
3) THICKNESS EXCEED 16mm	:	NO
4) FORMING REDUCTION MORE THAN 10%	:	NO
5) FORMIG TEMP. RANGE 120 - 480 Deg.C	:	NO

FOR P-NO.1 GROUP NOS.1 AND 2 MATERIALS THE EXTREME FIBER ELONGATION MAY BE AS GREATER AS 40% WHEN NONE OF THE CONDATIONS. LISTED ABOVE IN (1) THROUGH (5) EXIST.

6.3.3 DETERMINED EXTREME FIBER ELOGATION

$$(50t / Rf) \times (1 - Rf / Ro) = 1.16 \% < 5.0 \%$$

* THEREFORE, HEAT TREATMENT IS NOT REQUIRED

6.4 FIBER ELOGATION CHECK

6.4.1 DESIGN CONDITIONS

CURVATURE	:	HEAD
THICKNESS OF SHELL	: t	3.50 mm
INSIDE DIAMETER OF VESSEL	: D	299.00 mm
FINAL CENTER LINE RADIUS ($0.1727 \times D + t/2$)	: Rf	53.39 mm
ORIGINAL CENTER LINE RADIUS	: Ro	∞ mm

6.4.2 EXTREME FIBER ELOGATION IS MORE THAN 5%,
HEAT TREATMENT IS REQUIRED ANY OF THE FOLLOWING CONDITIONS

1) CONTAIN LETHAL SUBSTANCE	:	NO
2) IMPACT TEST REAUARED MATERIAL	:	NO
3) THICKNESS EXCEED 16mm	:	NO
4) FORMING REDUCTION MORE THAN 10%	:	YES
5) FORMIG TEMP. RANGE 120 - 480 Deg.C	:	NO

FOR P-NO.1 GROUP NOS.1 AND 2 MATERIALS THE EXTREME FIBER ELONGATION MAY BE AS GREATER AS 40% WHEN NONE OF THE CONDATIONS. LISTED ABOVE IN (1) THROUGH (5) EXIST.

6.4.3 DETERMINED EXTREME FIBER ELOGATION

$$(75t / Rf) \times (1 - Rf / Ro) = 4.92 \% < 5.0 \%$$

* THEREFORE, HEAT TREATMENT IS NOT REQUIRED

6.5 SKIRT CALCULATION SHEET

6.5.1 DESIGN CONDITIONS

DESIGN PRESSURE	: P	0.98	Mpa
SHAPE FACTOR	: Ce	0.70	
EARTHQUAKE FACTOR	: F	0.37	
DESIGN TEMPERATURE	: T	75.00	°C
SHELL THICKNESS	: t	3.50	mm
SHELL OUT DIAMETER(Di+2t)	: Do	306.00	mm
TOTAL HEIGHT OE VESSEL	: Lt	913.00	mm
HEIGHT OF VESSEL CENTER LINE TO VASE	: Hv	520.00	mm
OPERATING WEIGHT OF VESSEL	: W	245.00	N
SECTION AREA OF VESSEL $A = Do^2 \times Lt$: A	=	0.82 m ²
Do1= (Di+ts+α)x1.2= (0.299 + 0.0035 + 0.001) x 1.2	=	=	0.36 m
Do2= (Di+ts+α)+0.6= (0.299 + 0.0035 + 0.001) + 0.6	=	=	0.90 m
WIND SPEED PRESSURE(45m/sec)-TABLE 5-3 REFFERENCE	: Qs	1226.00	N/m ²
MAXIMUM MOMENT	: M	511.68	N.m
ECCENTRIC MOMENT	: Me	0.00	N.m

※ SKIRT CONDITIONS

MEAN DIAMETER(Dm+ts+α)	: Dm	248.40	mm
SKIRT INSIDE DIAMETER	: Ds	245.20	mm
OPENING WIDTH	: Y	70.00	mm
OPENING HOLE Q'TY	: N1	3.00	EA
THICKNESS	: ts	3.20	mm
MATERIAL	:	SS400	
DESIGN TEMPERATURE - ALLOWABLE STRESS	: Suo	400.00	N/mm ²
- YIELD POINT	: Syo	221.00	N/mm ²
- ELASTIC MEDULUS	: Eo	198000.00	N/mm ²
AMB. TEMPERATURE - ALLOWABLE STRESS	: Su	400.00	N/mm ²
- YEILD POINT	: Sy	245.00	N/mm ²
- ELASTIC MODULUS	: E	200000.00	N/mm ²

※ BASE PLATE CONDITIONS

WIDTH (LARGE SIZE)	: D3	340.00	mm
WIDTH (SMALL SIZE)	: D1	242.00	mm
LARGE WIDTH OF INNER OR COTER	: l	45.80	mm
THICKNESS	: tp	4.50	mm
MATERIAL	:	SS400	
ALLOWABLE STRESS	: Sup	400.00	N/mm ²
YIELD POINT	: Syp	245.00	N/mm ²

※ ANCHOR BOLT CONDITIONS

BOLT CIRCLE DIAMETER	: BCD	300.00	mm
BOLT Q'TY	: N	3.00	EA
BOLT HOLE SIZE	: d	12.00	mm
USE BOLT SIZE	: UBS	10.00	mm
EFFECTIVE DIAMETER	: di	8.91	mm
MATERIAL	:	SS400	
YIELD POINT	: Syb	245.00	N/mm ²
ALLOWABLE DURABILITY OF CONCRETE(1.2kgf/mm ² x9.8)	: fcon	11.76	N/mm ²

6.5.2 MAXIMUM MOMENT CALCULATION (M)

2.1 WIND LOAD, F_w

$$F_w = C_e \times C_q \times Q_s \times I_w \times A = 0.7 \times 1.39 \times 1226 \times 1 \times 0.82 = 984.01 \text{ N}$$

2.2 WIND MOMENT, F_{mw}

$$F_{mw} = F_w \times H_v = 984.01 \times 0.52 = 511.68 \text{ N.m}$$

2.3 SEISMIC LOAD, F_s

$$F_s = W \times F = 245 \times 0.37 = 90.65 \text{ N}$$

2.4 SEISMIC MOMENT, F_{ms}

$$F_{ms} = F_s \times H_v = 90.65 \times 0.52 = 47.13 \text{ N.m}$$

2.5 MAXIMUM MOMENT, M

$$M = \text{The larger value of } F_{mw} = 511.68 \text{ N.m}$$

6.5.3 SKIRT CALCULATION

3.1 ALLOWABLE COMPRESSION STRESS

$$\sigma_a = \frac{0.3 \times E_o \times t_s}{\{1 + 0.004 \times (E_o/S_y)\} \times D_m}$$

$$= \frac{0.3 \times 198000 \times 3.2}{\{1 + 0.004 \times (198000/245)\} \times 248.4} = 180.78 \text{ N/mm}^2$$

3.2 VERTICAL LOAD PER CIRCUMFERENCE

3.2.1 LOAD STRESS

$$\sigma_w = \frac{W}{\pi \times D_m \times (t_s - \alpha) - (Y \times N_1) \times (t_s - \alpha)}$$

$$= \frac{245.00}{\pi \times 248.4 \times (3.2 - 0) - (70 \times 3) \times (3.2 - 0)} = 0.13 \text{ N/mm}^2$$

3.2.2 BUCKLING LOAD

$$\sigma_b = \pm \frac{1000 \times M}{Z} = \pm \frac{1000 \times 511.68}{127,254.647} = \pm 4.02 \text{ N/mm}^2$$

$$Z = \frac{I}{D_m/2} = \frac{\pi D_m^2 t_s}{4} - \frac{D_m Y t_s}{2}$$

$$= \frac{\pi \times 248.4^2 \times 3.2}{4} - \frac{248.4 \times 70 \times 3.2}{2} = 127254.65 \text{ mm}^3$$

3.2.3 COMPRESS STRESS

$$\sigma_p = \frac{P \times D_m}{400 \times t_s} = \frac{0.98 \times 248.4}{400 \times 3.2} = 0.19 \text{ N/mm}^2$$

$$\ast \text{ NON-INTERNAL COMPRESS} = 0.00 \text{ N/mm}^2$$

3.3 COMPOSITE COMPRESSION STRESS OF SKIRT

3.3.1 COMPOSITION TENSILE STRESS

$$\sigma_t = \sigma_p - \sigma_w + \sigma_b = 0.19 - 0.13 + 4.02 = 4.08 \text{ N/mm}^2$$

** RESULT $\sigma_t \leq \delta f : 4.08 \text{ N/mm}^2 \leq 109.76 \text{ N/mm}^2$ ----- OK !

ALLOWABLE STRESS ($\delta f = 16\text{kgf/mm}^2 \times \eta \times 9.8$) = 109.76 N/mm²

3.3.2 COMPOSITION COMPRESSION STRESS

$$\sigma_c = -\sigma_p + \sigma_w + (\sigma_b/\text{SQRT}(2)) = -0.19 + 0.13 + (4.02/\text{SQRT}(2)) = 2.79 \text{ N/mm}^2$$

** RESULT $\sigma_c \leq \sigma_a : 2.79\text{N/mm}^2 \leq 180.78 \text{ N/mm}^2$ ----- OK !

6.5.4 ANCHOR BOLT AND PLATE CALCULATION

4.1 ALLOWABLE TENSILE STRESS OF ANCHOR BOLT(NON-INTERNAL TENSILE) (**fb**)

$$f_b = 16\text{kgf/mm}^2 \times 9.8 = 156.80 \text{ N/mm}^2$$

4.2 TENSILE STRESS OF ANCHOR BOLT AND RESULT

4.2.1 SECTION AREA (A)

$$A = \pi \times d_i^2 / 4 = \pi \times 8.91^2 / 4 = 62.35 \text{ mm}^2$$

4.2.2 TENSILE STRESS (Sb)

$$S_b = \frac{1}{N \times A} \times \left\{ \frac{4000 \times M}{BCD} - W \right\} = \frac{1}{3 \times 62.351} \times \left\{ \frac{4000 \times 511.68}{300.0} - 245 \right\} = 35.16 \text{ N/mm}^2$$

** RESULT $S_b \leq f_b : 35.16 \text{ N/mm}^2 \leq 156.8 \text{ N/mm}^2$ ----- OK !

4.3 BENDING STRESS OF BASE PLATE

4.3.1 SECTION AREA (A1)

$$A_1 = 0.7854 \times (D_3^2 - D_1^2) = 44,348.68 \text{ mm}^2$$

4.3.2 SECTION MODULS (Z1)

$$Z_1 = \pi (D_3^4 - D_1^4) / 32 \times D_3 = 1,389,595.72 \text{ mm}^3$$

4.3.3 COMPRESSION LOAD (B)

$$B = [1000 \times (M + M_e) / Z_1] + (W / A_1) = [1000 \times (511.68 + 0) / 1389595.72] + (245 / 44348.679144) = 0.37 \text{ N/mm}^2$$

** RESULT $B \leq f_{con} : 0.37 \text{ N/mm}^2 \leq 11.76 \text{ N/mm}^2$ ----- OK !

4.3.4 BASE PLATE ALLOWABLE STRESS (Bp)

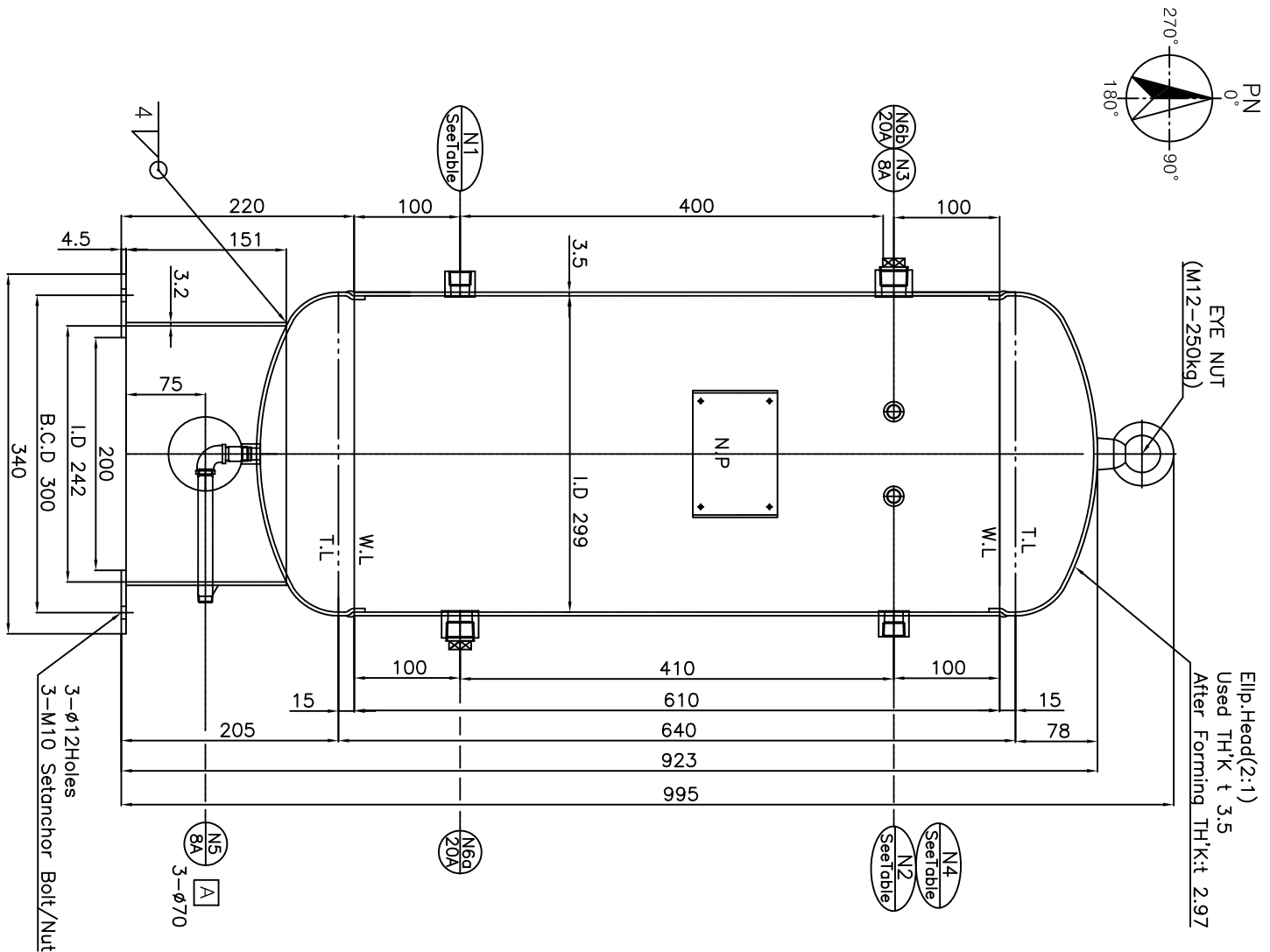
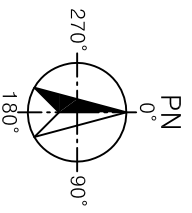
$$B_p = (3 \times l^2 \times B) / t_p^2 = (3 \times 45.8^2 \times 0.37) / 4.5^2 = 114.98 \text{ N/mm}^2$$

** RESULT $B_p < \sigma_a : 114.98 \text{ N/mm}^2 < 180.78 \text{ N/mm}^2$ ----- OK !

7. DRAWING

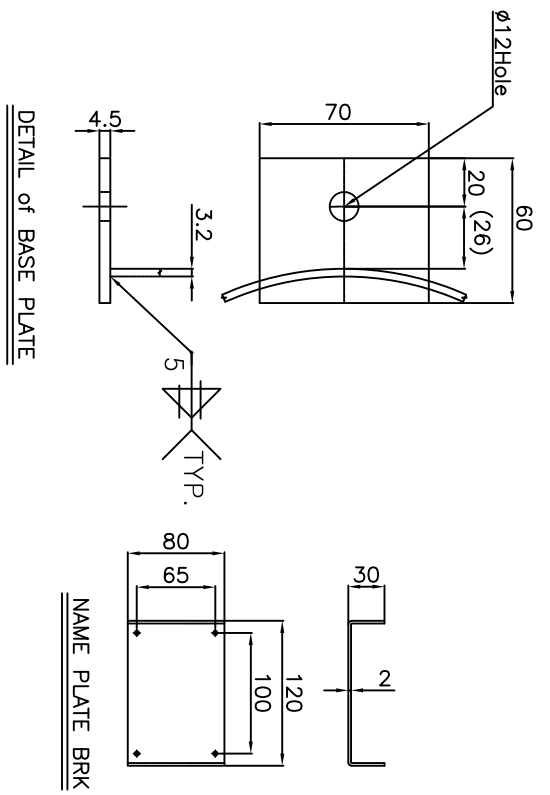
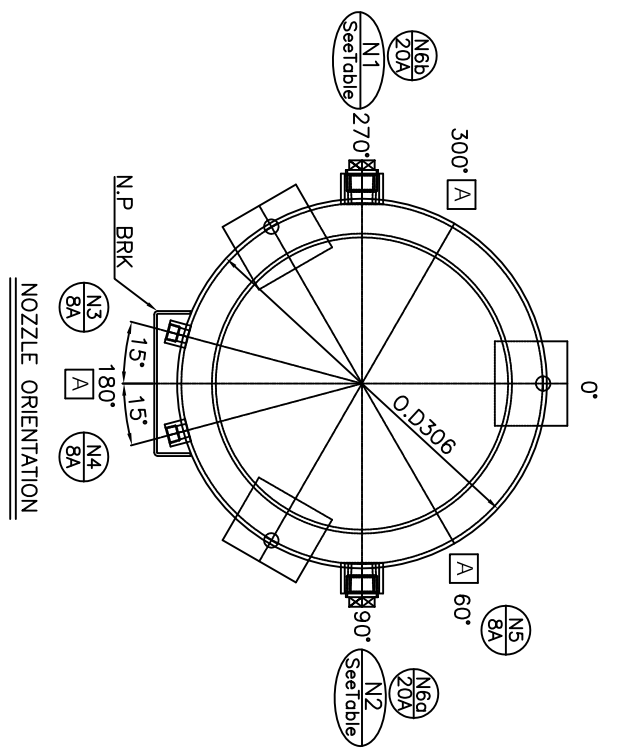
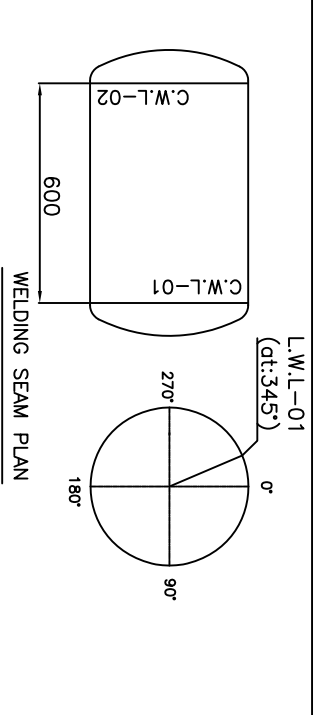
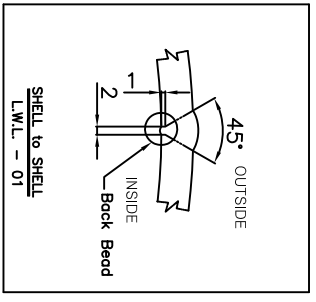
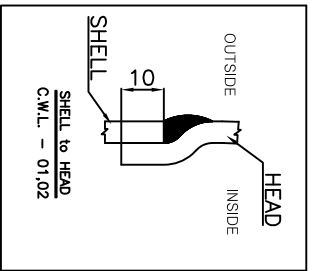
ITEM NO : JIN-050-V-3

No	DESCRIPTION	DRAWING NO	REMARK
1	ASSEMBLY & DETAIL DRAWING	J1604050V-01	
2	MANHOLE & NOZZLE DETAIL	J1604050V-02	
3	NAME PLATE DRAWING	J1604050V-03	



TABLE

NO.	SIZE
N1 & N2	8A 10A 15A 20A 25A 32A 40A 50A
TYPE	HALF COUPLING
N4	8A 15A



DOCUMENT STATUS

□1 : APPROVED
 □2 : APPROVED WITH COMMENTS
 WORK MAY PROCEED SUBJECT TO INCORPORATION OF COMMENTS
 □3 : REVERSE AND RESUBMIT
 WORK MAY NOT PROCEED
 □4 : RECORD ONLY

NOTE :

REVIEW DATE :
 ENGINEER :
 LEAD ENGINEER :

SHELL	SS400	HEAD	SS400
REIN. PAD	-	SADDLE	SS400
BASE PLATE	-	LIFTING LUG	SS400
FITTING	SA105	NECK PLATE	EYE NUT
FLANGE	-	BLIND FLANGE	-
NOZZLE NECK	-	COVER PLATE	-
BOLT/NUT	SS400	GASKET	-
NAME PLATE	ALUMINIUM	NAME PLATE BRACKET	SS400
EARTH LUG	-	ANCHOR BOLT/NUT	-
LADDER	-	PLATFORM	-
VORTEX BREAKER	-	INSULATION SUPPORT	-
STIFFENER	-	INTERNAL RING	-

MANUFACTURER

JINWOO
 JINWOO MACHINERY CO.,LTD. KOREA

PROJECT

TITLE

JIN-050-V-3
 AIR RECEIVER TANK
 (51 Liter)
 ASSEMBLY DETAIL DWG

JOB NO. : -
 P/S NO. : -
 UNIT NO. : -
 SCALE : 1 / 1
 STATUS : -
 DATE : 2016.04.29

DRAWN : DOND / App'D
 DATE : -
 T.W.J. / V.W.L. / W.G.J. / -

DWG. NO. : J1604050V-01

CONTRACTOR

FOR APPROVAL

REV. DATE DRN. REV. APPR. DESCRIPTION

8. PAINTING COLOR

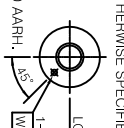
1) TANK : -

FOR APPROVAL

READ QTY - SET

SURFACE PREPARATION	PRIMER	INTERMEDIATE COAT	FINAL COAT	COLOR
SSPC-SP6	EPOXY (-)	LACQUER PRIMER (-)	LACQUER (-)	SEE NOTE *8

- NOTES
- ALL DIMENSIONS ARE IN MILLIMETERS UNLESS OTHERWISE NOTED.
 - NOZZLE PROJECTIONS ARE FROM CENTER LINE OF VESSEL OR NEAREST TANGENT LINE TO GASKET FACE OF FLANGE.
 - ALL BOLT HOLES SHALL STRADDLE THE PLAN CENTER LINE OR VERTICAL CENTER LINE OF VESSEL UNLESS OTHERWISE SPECIFIED.
 - ALL REINFORCEMENT PLATES SHALL BE PROVIDED NPT 1/8 TELL-TALE HOLES WITH HEAVY GREASE AFTER TEST AND LOCATED AT 45° OFF THE AXIS OF VESSEL.
 - GASKET CONTACT SURFACE FINISHED 125-250 AARH.
 - GASKET MAN-HOLE-
 - SURFACE PREPARATION & PAINTING SPEC. : (C.S PART ONLY)
 1) INTERNAL PART : -
 2) EXTERNAL PART : -
 - PAINTING COLOR



VESSEL DESIGN DATA

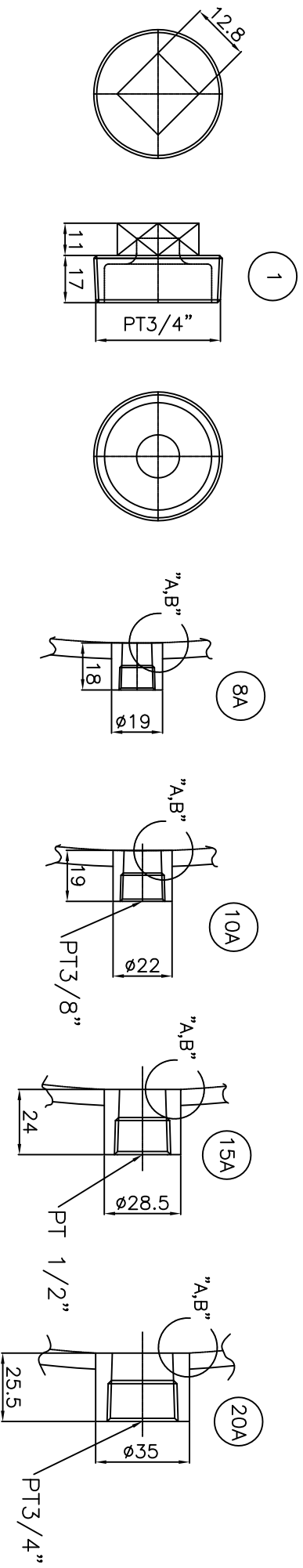
CODE :	KS B 6750-3	REGULATION :	KOSHA
FLUID NAME	AIR	TYPE	HORIZONTAL
DESIGN PRESSURE (INT./EXT.)	0.98 MPa	WIND VELOCITY (m/sec)	-
DESIGN TEMPERATURE	75 °C	SEISMIC ZONE FACTOR	-
OPERATING PRESSURE (INT./EXT.)	0.88 MPa	INSULATION	NO
OPERATING TEMPERATURE	40 °C	FIRE PROOFING	NO
HYDRO. TEST PRESS	1.3 MPa	P.W.H.T	NO
CORROSION ALLOWANCE	1.0 mm	IMPACT TEST	NO
RADIOGRAPHY	SHELL NO SEAMLESS	ERECTOR (Kg)	25
HEAD SHELL TO HEAD	NO	EMPTY (Kg)	25
WEIGHT OPERATING (Kg)	25	FULL OF WATER (Kg)	76
JOINT EFFICIENCY (SHELL / HEAD)	0.7-0.65 / 0.95	M.D.M.T	-
M.D.M.T	-20 °C at 0.98 MPa	BULK DENSITY	-
M.A.W.T	0.98 MPa at 75 °C	CAPACITY	0.051 m³

NOZZLE TABLE

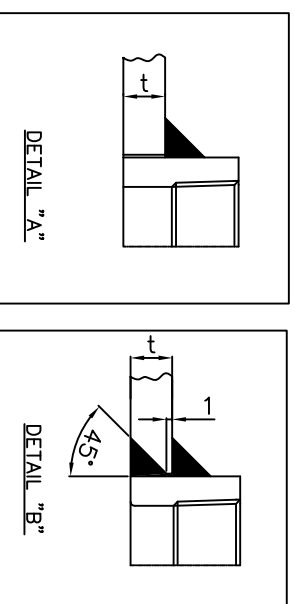
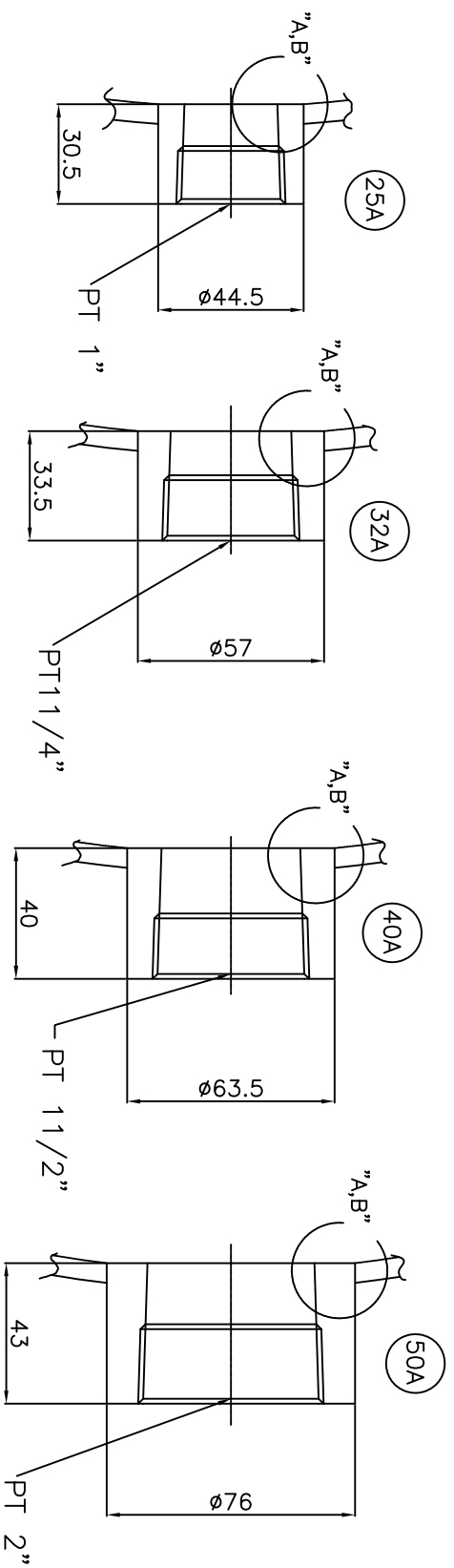
MARK NO.	SIZE	CONNECTION	FACE	SERVICE	PROJECTION
N1	See table	3000IB	HALF	COUPLG INLET	FM VESSEL C.L
N2	See table	3000IB	HALF	COUPLG OUTLET	SEE DWG.
N3	See table	3000IB	BUSH	COUPLG P.G CONN.	SEE DWG.
N4	See table	3000IB	BUSH	COUPLG SAFETY VALVE CONN.	SEE DWG.
N5	See table	3000IB	HALF	COUPLG DRAIN	SEE DWG.
N6a	20A	3000IB	HALF	INSPECTOTN HOLE	SEE DWG.
A	3	170	-	ACCESS HOLE	SEE DWG.

이 도면은 진우기계의 지적 재산이며 무단으로 복제하거나 배포할 수 없습니다.

NOZZLE SIZE	NO. QTY	PART NO.	NOMENCLATURE	MATERIAL	SPECIFICATION
1	1	2	PLUG	FC2000	PT 3/4"
10A	1	1	HALF COUPLING	A105	PT3/8x3000b
15A	1	1	HALF COUPLING	A105	PT1/2x3000b
20A	1	1	HALF COUPLING	A105	PT3/4x3000b
25A	1	1	HALF COUPLING	A105	PT 1 x3000b
32A	1	1	HALF COUPLING	A105	PT1 1/4x3000b
40A	1	1	HALF COUPLING	A105	PT1 1/2x3000b
50A	1	1	HALF COUPLING	A105	PT 2 x 3000b



Inspector Hole Plug



REV.	DATE	DRN.	REVD.	APPR.	DESCRIPTION
△					
△					
△					
△					

CLIENT

CONTRACTOR

MANUFACTURER
JINWOO
JINWOO MACHINERY CO.,LTD. KOREA

PROJECT

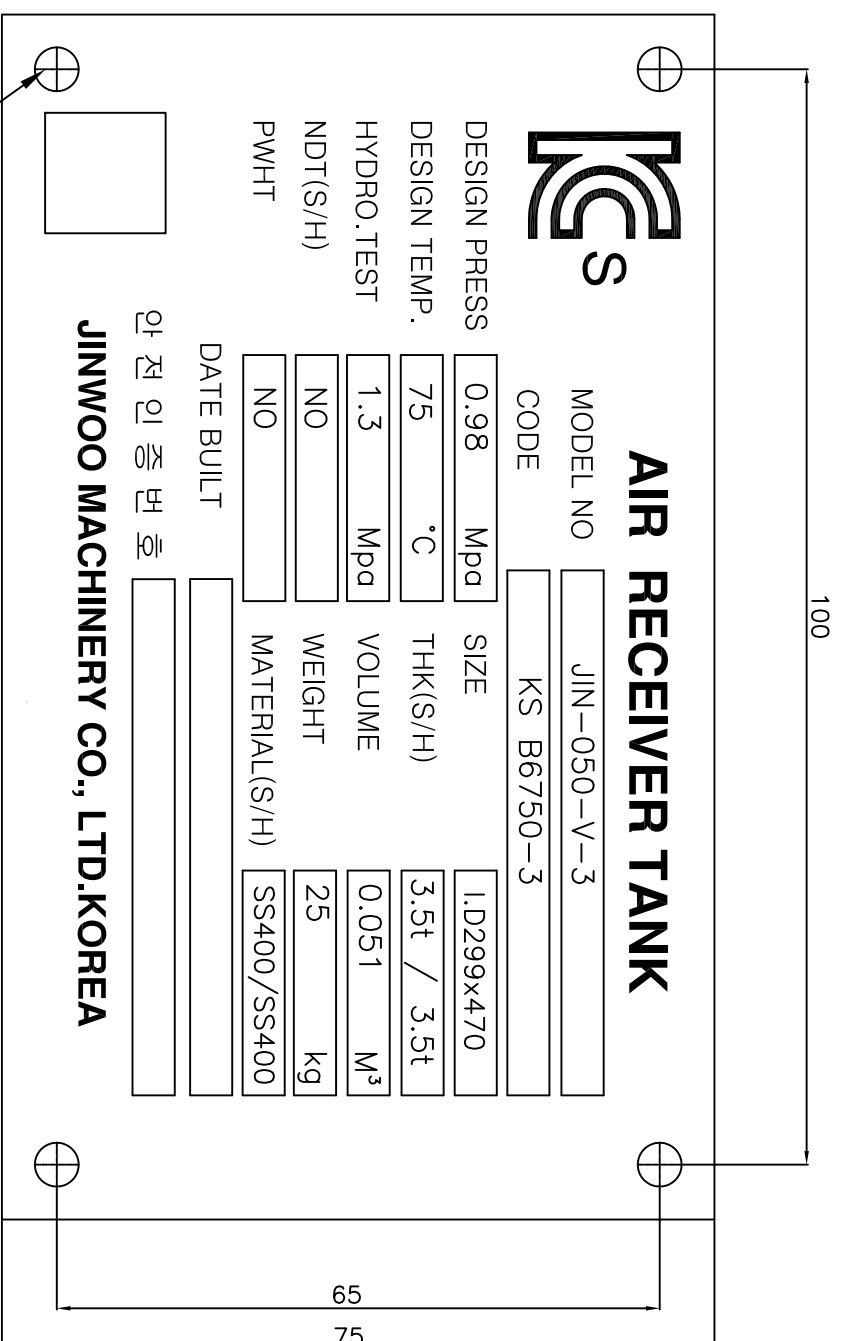
JOB NO.	TITLE	
-	JIN-050-V-3	
P/S NO.	UNIT NO.	
-	-	
SCALE	STATUS	
1 / 1	-	
DATE	DWG. NO. :	
2016.04.29	J1604050V-02	
DRAWN	CHK'D	APP'D
T.W.J	Y.W.L	W.G.J

NOZZLE DETIL DWG

AIR RECEIVER TANK
(51 Liter)

REV. 0

NO. QTY	PART NO.	NOMENCLATURE	MATERIAL KS ASTM	SPECIFICATION



REV.	DATE	DRN.	REVD.	APPR.	DESCRIPTION
△					
△					
△					
△					

CLIENT _____

CONTRACTOR _____

MANUFACTURER

JINWOO

JINWOO MACHINERY CO.,LTD. KOREA

PROJECT

JOB NO.	-	TITLE	JIN-050-V-3
P/S NO.	-	AIR RECEIVER TANK (51 Liter)	
UNIT NO.		NAME PLATE DETIL DWG	
SCALE	1 / 1		
STATUS			
DATE	2016.04.29		
DRAWN	DGND	CHK'D	APP'D
T.W.J	Y.W.L	W.G.J	-
DWG. NO. : J1604050V-03		REV. 0	

사용방법 설명서

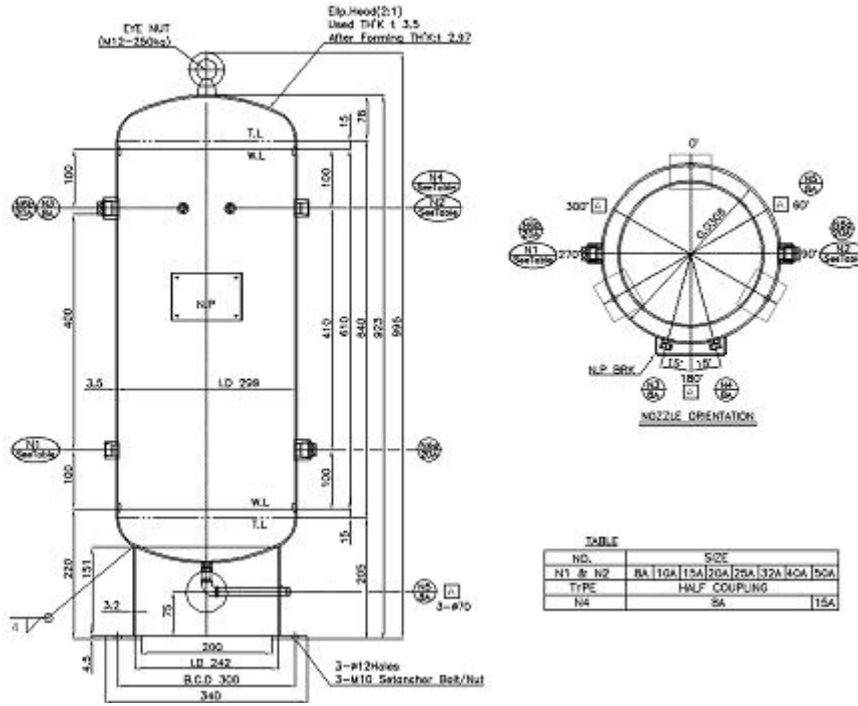
형식번호 : JIN-050-V-03

제품명 : AIR RECEIVER TANK

목 차

1. 외 관 개 략 도
2. 설 제 조 건
3. 제 품 의 개 요
4. 운 반 및 설 치
5. 운 전 및 보 수 , 유 지
6. 수 리
7. 수 압 시 험
8. 안 전 과 환 경
9. NAME PLATE에 표 기 한 사 항
10. 사 용 자 교 육
11. 책 임

1. 외관 개략도



2.설계조건

ITEM NO	JIN-050-V-3	CODE	KS B 6750-3	
순번	항 목	설 명		
1	용 량	0.051	m ³	
2	사용유체명	AIR		
3	설 계	압 력	P= 0.98 / 10	Mpa / Kgf/cm ²
		온 도	T= 75	°C
4	운 전	압 력	P= 0.88 / 9	Mpa / Kgf/cm ²
		온 도	T= 40	°C
5	동체의 내경	Di=	299	mm
6	부식여유	α =	1.0	mm
7	방사선투과검사 (SH/HD)	NO		
8	후 열처리	HEAD ONLY		
		SHELL/HEAD	SUPPORT	AHCHOR BOLT
9	사용재질	SS400/ SS400	SS400	SS400
10	허용응력 (N/mm ²)	114 / 114	114	61
11	중 량 (Kgf)	기 준	운 전	완 수
		25	25	76
12	두께 (동체/경판)	사 용	3.5 / 3.5	
		최 소	2.86 / 2.52	

3. 제품의 개요

1) 제품의 기능 및 성능

- 본 용기는 설계압력 0.98 Mpa(10Kgf/cm²), 설계온도 75.0℃로 설계제작 되었고 사용재질은 SS400/SS400으로 제작된 VERTICAL SKIRT TYPE 용기이다.
- 본 용기는 용기류 압력용기에서 압축된 공기를 저장하고 분배하여 공기를 후단에 분배 공급한다.

2) 제품의 구성품

- ① SAFETY VALVE
- ② PRESSURE GAUGE
- ③ TEMPERATURE GAUGE
- ④ LEVEL GAUGE
- ⑤ PLATFORM & LADDER

위 구성품은 용도상 설치 또는 미설치 할 수도 있음.

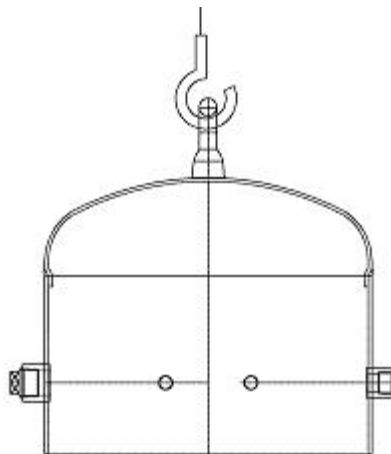
단, SAFETY VALVE는 용기에 미설치 시 배관상 에라도 차단밸브를 사용하지 않고 꼭 설치 하여야 한다. 이를 설치하지 않아 발생하는 문제는 제조사에 책임을 물을 수 없다.

4. 운반 및 설치

1) 운반

- 제품 하차 시 반드시 LIFTING LUG를 사용하여 아래와 같이 하차하여야 한다.
- NOZZLE이나 기기의 부품을 이용하여 하차하여서는 않된다.
- 하차 후 설치 시 까지 용기는 외부의 충격으로 도장 및 방청이 파손되지 않도록 보관하여야 한다.

적용 예)



2) 설치

- 기초는 지질이나 주위 조건에 적합하도록 조사 후 시공하십시오.
- 설치 고정은 ANCHOR BOLT 및 SETTING BOLT의 NUT 체결순서는 대각 방향을 기준하여 완전히 조인다.
- 도면의 NOZZLE ORIENTATION(노즐방향)에 맞게 설치한다.
- 배관은 지정된 SIZE를 사용하며 내부는 완전히 FLUSHING하여 조립한다.
- 설치 전 포장이 완전히 제거 되었는지 확인하다.
- 기기 하부에 설치된 EARTH LUG에 접지를 설치한다.

5. 운전 및 유지 , 보수

1) 운전

- 설치 후 시운전 시작 전 용기 내에 이물질이 없는지 확인한다.
- 운전은 설계압력과 설계온도에 맞춰 운전 되어져야 한다.
- 설계조건보다 OVER되어 운전될시 즉각 설계조건 이하로 운전되도록 조치한다.

2) 유지 및 보수

- 사용중 용기에 어떠한 방법으로든 열이나 충격을 가해서는 않된다.
- 납품된 용기는 임의로 부품을 추가하거나 변경하여서는 않된다.
- 설치된 용기는 설치 후 3년이 경과하기 전에 안전검사를 받아야하며 이후 매2년 마다 안전검사를 의무적으로 받아야한다.
- 정기검사를 받지 않는 용기는 자체검사를 실시한다.
- 검사결과 부식 및 기타의 방법으로 두께감소가 설계 계산두께 이하일 경우 사용을 중지하고 새로 제작된 용기로 교체하여야 한다.
- LINNING된 압력용기는 부식누설이 있는지 TEST HOLE을 감시하여야 한다.

6. 수리

1) 수리 및 변경

- 사용 중 수리를 하고자 할 경우 제조회사에 문의를 한다.
- 사용 중 주요 구조부 (동체,경판,스커트등)에 대한 변경 또는 노즐의 추가 설치 시에는 관할지역의 한국산업안전보건공단에 변경에 대한 서면심사(설계검사)를 신청하여 승인을 득한 후 변경하여야 한다.
- 서면심사를 변경할 경우에는 관할지역의 한국산업안전보건공단에 개별제품심사를 신청하여 승인을 득한 후 사용하여야 한다.

7. 수압시험

1) 수리검사 및 기타이유로 내압검사를 행해야 할 경우 수압검사를 원칙으로 한다.

2) 수압시험절차

- 압력계의 최대눈금은 시험압력의 1.5배에서 4배의 것을 사용한다.
- 내압시험 압력은 NAME PLATE(이름판)에 표기된 압력으로 한다.
- 승압은 내압시험 압력의 10%씩 서서히 승압시키고 30분 정도 유지함을 원칙으로 한다.
- 수압시험 유지시간이 시방서등의 별도 지시가 있는 경우는 이에 따른다.
- 검사 중 점검사항
 - * 누설 유무
 - * 변형 유무
 - * 압력강하 여부
- 내압시험 중 이상 징후가 확인되면 즉시 강압시키고 수정하여 다시 시험을 하여야 한다.

2) 배수, 건조 및 방청처리

- (1) 배수 : * 최상부의 공기 취입부와 하부의 배출구를 열어 부압이 발생하지 않도록 한다.
 - * 높이가 높고 박판인 용기는 내부에 진공이 걸려 파손되지 않도록 한다.
- (2) 건조 : 필요에 따라 사양에서 요구되는 경우 HOT DRY시키는 등으로 완전건조 시킨다.
- (3) 방청처리 : 기기의 방청기간이 길거나 사양에서 요구되면 방청제또는 N2 GAS를 투입시켜 부식이 되지 않도록 한다.

8. 안전과 환경

1) 안전

(1) 정기적인 내부점검

- * 내부압력을 완전히 제거한다.
- * 점검 작업 시 산소농도를 측정하여 이상이 없을시 임한다.
- * 독성물질을 취급하는 압력용기의 점검 및 작업 시 반드시 방독면을 착용하여야 한다.
- * 반드시 감시자를 배치하여야 한다.

(2) 계장부품 점검

- * 안전밸브, 압력계 등 용기의 압력변화에 연관되는 계장부품들이 용기주변에 설치되었을 경우 설계조건에 맞게 작동이 되는지 수시로 점검하여야 한다.

2) 환경

- 부식 등으로 더 이상 사용하지 못할 용기는 폐기처분 하여야 한다.
- 폐기처리 시 독극물 사용기기와 일반용기로 구분한다.
- 폐기처리는 환경ISO에서 정한 폐기물처리 사항에 따른다.
- 그렇지 않은 경우에는 폐기물 처리 관리법에 따라 처리한다.

9. NAME PLATE(이름판)에 표시된 사항

- ① 제품명
- ② 형식명
- ③ 적용규격
- ④ 기기번호
- ⑤ 설계압력 : Mpa (Kgf/cm²)
- ⑥ 설계온도 : °C
- ⑦ 수압시험 : Kgf/cm²
- ⑧ 비파괴 시험의 종류 및 구분 :RT,UT,MT,PT
- ⑨ 용접 후 열처리
- ⑩ 크기 : ID / L
- ⑪ 동체 및 경판 사용두께
- ⑫ 내용적 : 용량
- ⑬ 중량
- ⑭ 동체 및 경판의 재질
- ⑮ 제조년 월
- ⑯ 제조자의 이름
- ⑰ 안전인증번호

10. 사용자 교육

- 기기의 관리자에게는 기기의 설계조건을 숙지토록 한다.

11. 책임

- 제조자의 책임은 제품의 상차도 까지를 원칙으로 한다.
- 사용자의 책임은 제품의 하차 도부터 함을 원칙으로 한다.
- 기타 자세한 책임 한계는 상호간에 체결한 계약사에 의한다.